

Peeling machine

CBS-60, MBS-60



Operating principle

The Sormac carborundum peeler and Sormac knife peeler are ideal for peeling of root products such as potatoes, kohlrabi and celeriac.

In the carborundum version (CBS-60) the machine has a carborundum covered interior and a carborundum disc. The peeling disc can be taken out and is designed to enable the product to rotate within the machine. This allows the product to be peeled evenly around.

In the knife peeling version (MBS-60), the product is knife peeled to obtain a smooth surface. Any potential bruising and peeling losses are greatly reduced thanks to precision knife adjustment and the blue rubber skin inside the drum.

The construction is very compact with the motor inside the machine. For cleaning purposes the machine is equipped with legs. These adjustable legs can be supplied in different sizes.

Capacity

20 - 25 kg per cycle. The cycle time is 1 - 5 minutes adjustable by a timer within the machine. The capacity of the peelers is dependent on the product and the desired peeling waste percentage.

When from potatoes in a CBS-60 carborundum peeler about 40% will be peeled off, at a switching time of 15 seconds between two fillings, the capacity will be approx. 360 kg per hour net product. With 50% peeling, the capacity will be approx. 260 kg per hour net product (see table backside).

Options

- > pneumatic door operation, for use in an automatic production line
- > adjustable carborundum



Product specification

These peelers are suitable for peeling potatoes, celeriac, kohlrabi etc.

Features

- > removable knife peeling disc
- > knife disc of stainless steel with milled knife cavities
- > knife disc with foodsafe plastic turning discs

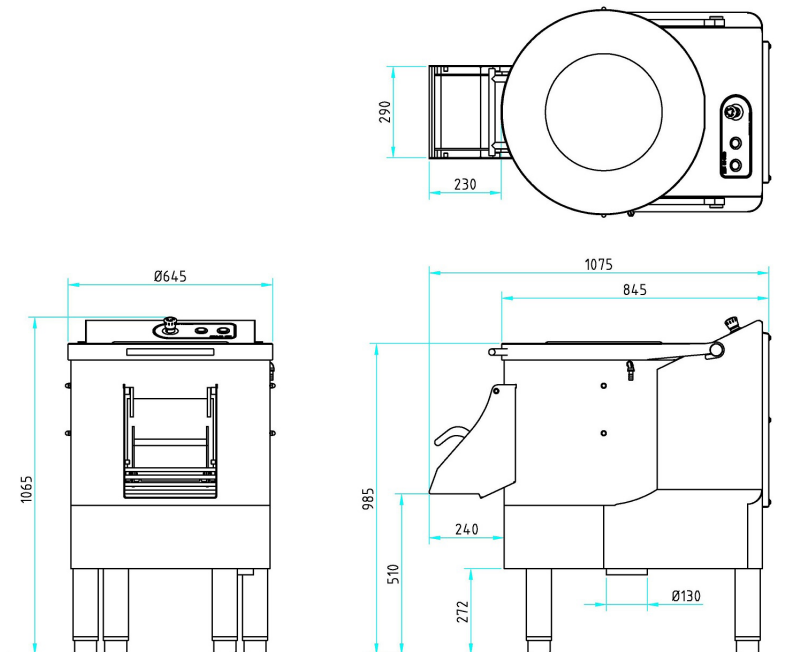
Technical data

Type:	CBS-60	MBS-60
Execution:	carborundum C16	knives
Voltage:	400 V, 50 Hz, 3 phase	400 V, 50 Hz, 3 phase
Installed power:	1,5 kW	1,5 kW
Speed:	190 RPM	190 RPM
Dimensions (W x D x H):	645 x 1.075 x 1.065 mm	645 x 1.075 x 1.065 mm
Infeed height:	980 mm	980 mm
Outfeed height:	500 mm	500 mm

The machines can peel off per hour as follows (indicative):

	CBS-60	MBS-60	recommended filling
Potatoes:	260 kg/h	110 kg/h	20-25 kg
Carrots:	215 kg/h	60 kg/h*	20-25 kg
Kohlrabi:	100 kg/h	60 kg/h*	20-25 kg
Celeriac:	60 kg/h	18 kg/h*	20 kg
Red beets:	140 kg/h	50 kg/h	20-25 kg

*not recommended



Sormac B.V.
P.O. Box 419
NL-5900 AK Venlo

Telephone: +31 (0)77 351 84 44
Fax: +31 (0)77 320 48 01

Alterations reserved

Huiskensstraat 68
NL-5916 PN Venlo

E-mail: info@sormac.nl
Internet: www.sormac.nl