



CLEANING MACHINES FOR EMPTY CONTAINERS GG75

Cleaning machine for empty stiff containers with round, square or octagonal sections with min 30mm mouth

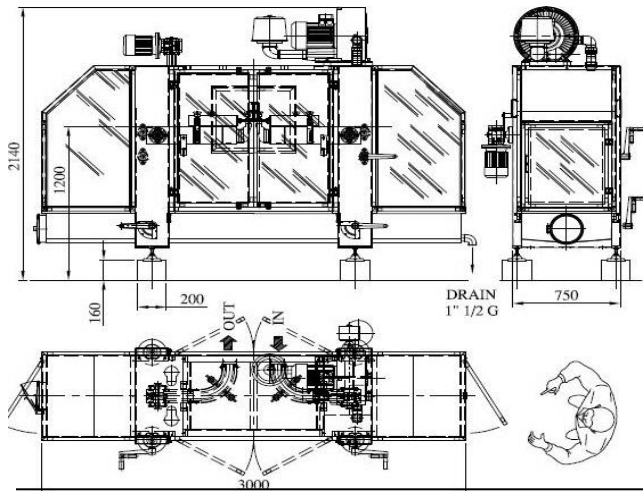


ADVANTAGES

- Suitable to clean any container sizes without any additional costs
- Quick size change-over only by adjustments, with no need of additional parts
- Different treatments available (by air – steam – hot water)
- **Full accessibility to the machine inside**
- **Easy cleaning and maintenance**

APPROX. TECHNICAL DATA

- Electric consumption : 4,5 kw
- Air consumption : 100NL/min a 3 bar
- Steam consumption : 80 kg/h a 3 bar
- Dimensions : 3600x1000x h2000mm
- Weight : 500 kg
- Working height : 1050 ± 50mm



This technical sheet gives an approximate description of the machine.

The technical features and the machine configuration are to be confirmed at the time of order.

UNIMAC-GHERRI SRL

- Strada Barco 4/G - 42027 Montecchio Emilia (RE) ITALY -

Tel. +39 0522 863046 - Fax +39 0522 864211 E-mail: info@uni-mac.com www.unimac-gherri.com